

**PRINTER OPTION (B306/G690)**

## **PARTS CATALOG**

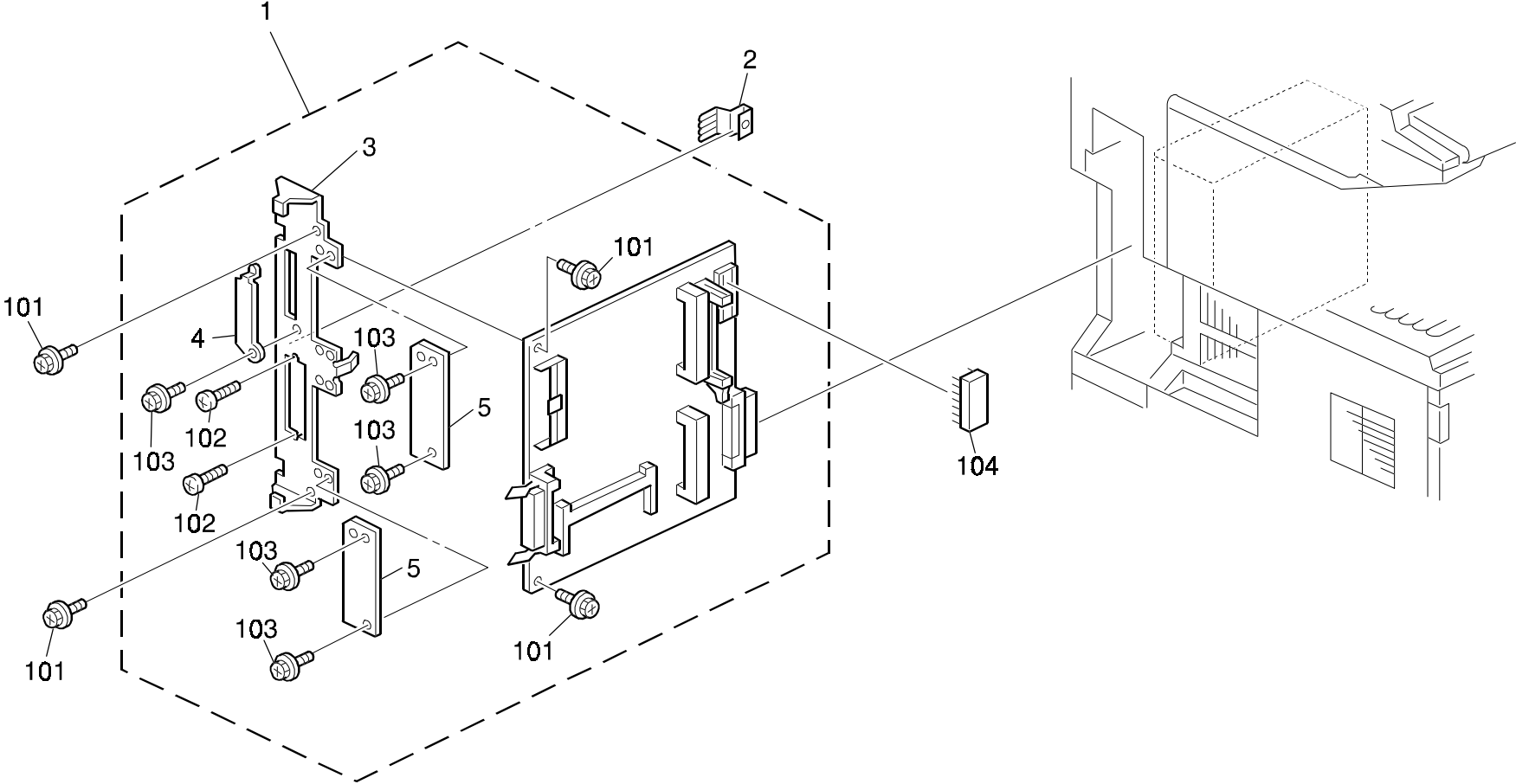
### **INTRODUCTION**

This chapter instructs you the numbers and names of parts on this machine.


### **INDEX to PARTS CATALOG**

1.PRINTER CONTROL UNIT 1 (B306) .....	2
2.PRINTER CONTROL UNIT 2 (B306) .....	4
3.PRINTER HDD UNIT (G690) .....	6
4.PRINTER CONTROL BOARD (B306).....	8
<b>PARTS INDEX .....</b>	<b>13</b>

1.PRINTER CONTROL UNIT 1 (B306)

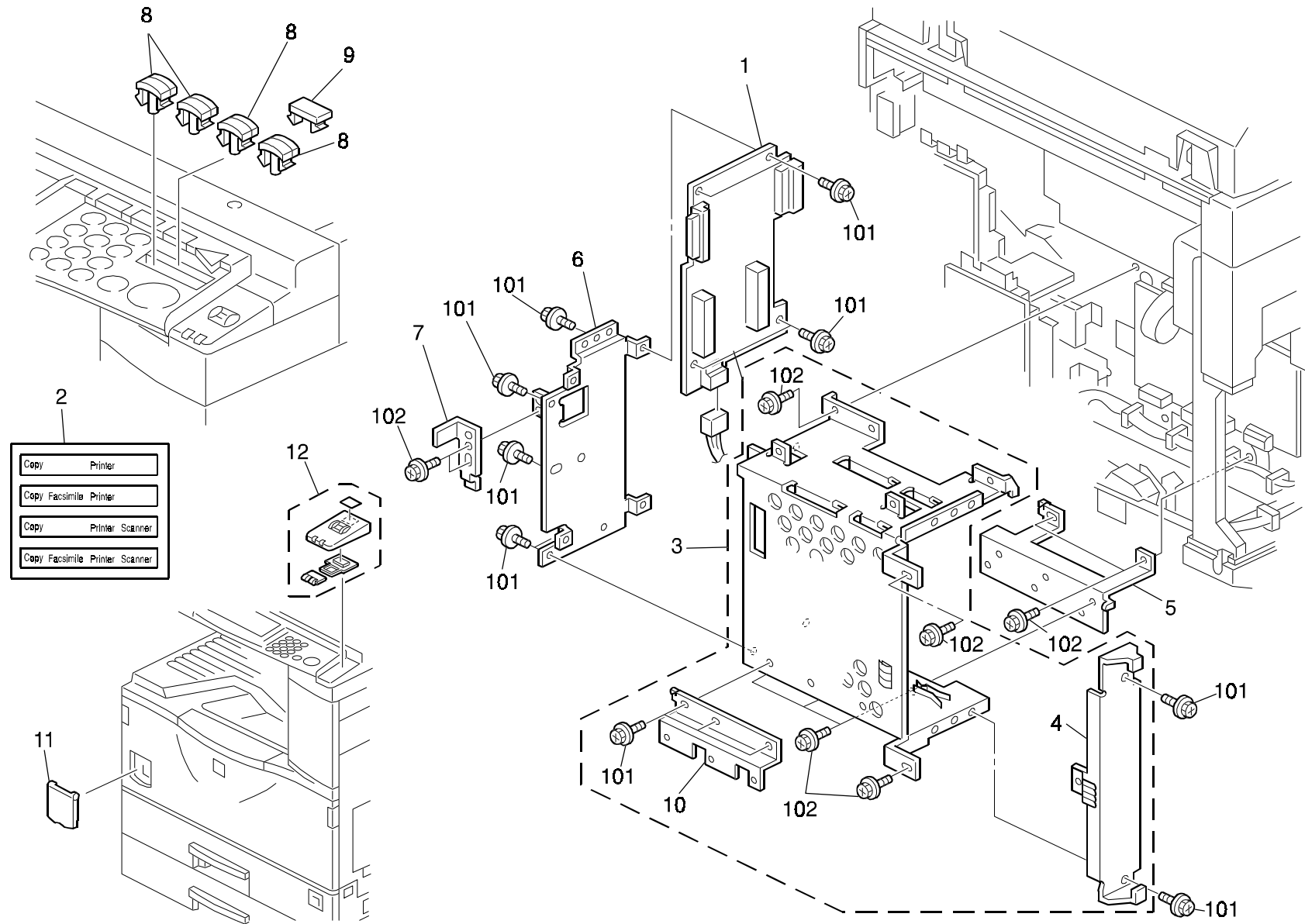


### 1.PRINTER CONTROL UNIT 1 (B306)

Index No.	Part No.	Description	Q'ty Per Assembly
1	B306 5160	Printer Controller	1
1	B306 5163	Printer Controller (LAN)	1
2	G038 5827	Spring Plate	1
3	A279 5813	Panel - Printer	1
4	G038 5826	Cover - IC Card	1
5	G038 5813	Connector Cover - Control Board	2
			

Index No.	Part No.	Description	Q'ty Per Assembly
101	0451 3006B	Tapping Screw - M3x6	
102	0353 0100Z	Bind Screw - M3x10	
103	0451 3008H	Tapping Screw With Washer - M3x8	
104	1407 4730	SRAM - STK12C68-W45	

## 2.PRINTER CONTROL UNIT 2 (B306)



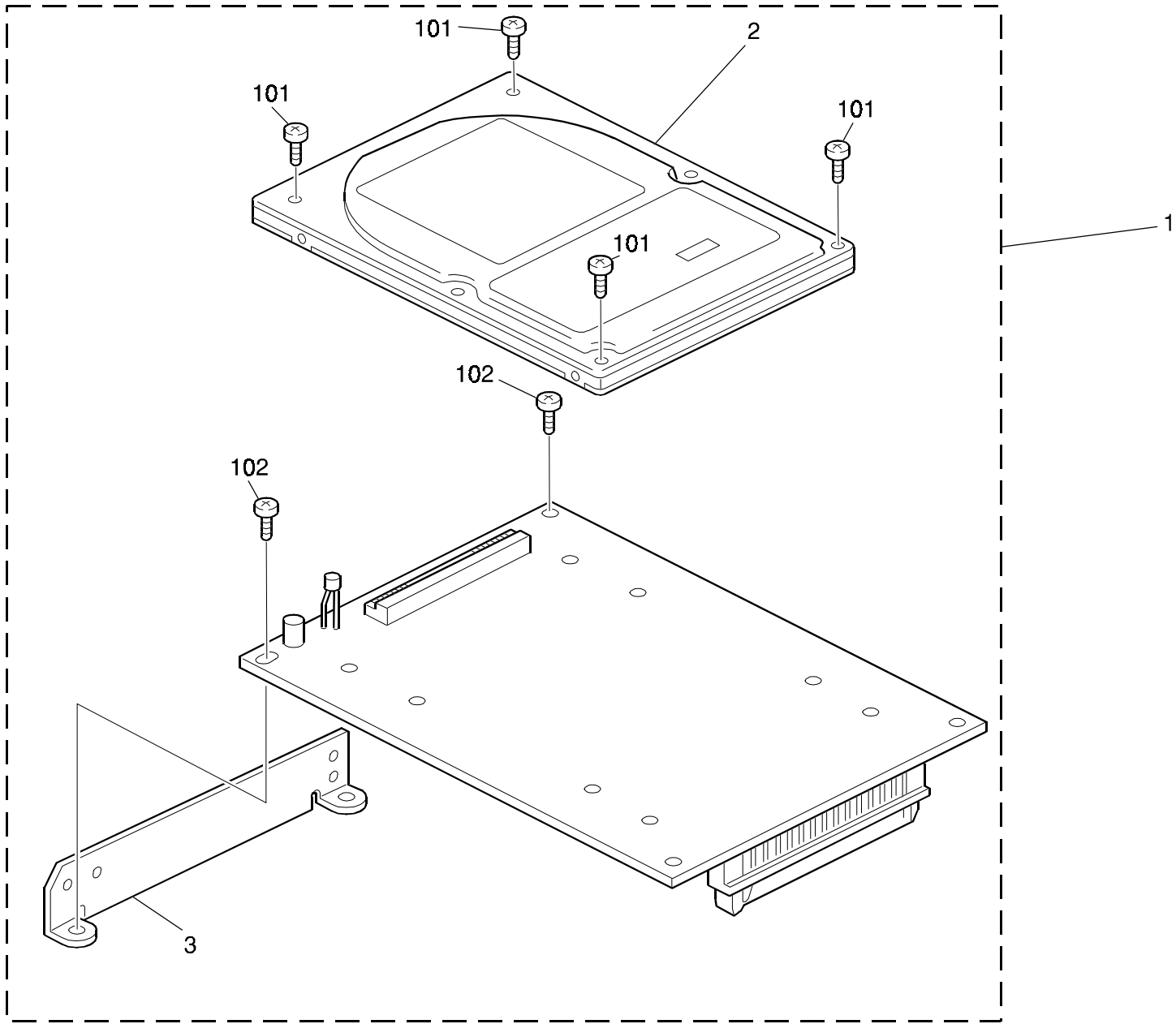
## 2.PRINTER CONTROL UNIT 2 (B306)

Index No.	Part No.	Description	Q'ty Per Assembly
1	A279 5335	Mother Board	1
2	B306 1464	Decal - Application Key	1
3	A279 5801	Expansion Box Ass'y	1
4	A279 5804	Cover Plate - Expansion Box	1
5	A268 5815	Stand	1
6	A279 5812	Mother Board Bracket	1
7	A279 5817	Spring Plate Bracket	1
8	A895 1451	Keytop - Application	2
9	A895 1452	Cover 1 Key	2
10	A279 5811	Stand - Expansion Box	1
11	A291 1302	Cover - Main Switch (230V)	1
12	A985 1480	Operation Switch Cover	1



Index No.	Part No.	Description	Q'ty Per Assembly
101	0451 3006B	Tapping Screw - M3x6	
102	0802 5278	Tapping Screw - M4x10	

### 3.PRINTER HDD UNIT (G690)



### 3.PRINTER HDD UNIT (G690)

Index No.	Part No.	Description	Q'ty Per Assembly
1	G690 5714	PCB HDD - 1.6GB	1
2	A853 7000	HDD MK1608MAT	1
3	G690 5920	Bracket - HDD	1

Index No.	Part No.	Description	Q'ty Per Assembly
101	0313 0050B	Philips Pan Head Screw - M3X5	
102	0951 3004Z	Philips Screw With Flat Washer - M3x4	



## 4.PRINTER CONTROL BOARD (B306)

### CAPACITOR

SYMBOL NO.	INDEX NO.	SYMBOL NO.	INDEX NO.	SYMBOL NO.	INDEX NO.	SYMBOL NO.	INDEX NO.	SYMBOL NO.	INDEX NO.	SYMBOL NO.	INDEX NO.	SYMBOL NO.	INDEX NO.
C 1	134	C 11	--	C 21	--	C 31	163	C 41	170	C 51	170	C 61	166
C 2	134	C 12	--	C 22	--	C 32	160	C 42	170	C 52	164	C 62	167
C 3	--	C 13	164	C 23	--	C 33	160	C 43	170	C 53	136	C 63	170
C 4	170	C 14	133	C 24	--	C 34	--	C 44	170	C 54	167	C 64	167
C 5	170	C 15	--	C 25	--	C 35	170	C 45	170	C 55	167	C 65	170
C 6	159	C 16	--	C 26	135	C 36	170	C 46	170	C 56	170	C 66	170
C 7	159	C 17	--	C 27	162	C 37	--	C 47	170	C 57	170	C 67	170
C 8	159	C 18	--	C 28	162	C 38	--	C 48	170	C 58	164	C 68	162
C 9	162	C 19	160	C 29	162	C 39	--	C 49	170	C 59	170	C 69	170
C 10	162	C 20	170	C 30	163	C 40	170	C 50	170	C 60	166	C 70	170

### CAPACITOR

SYMBOL NO.	INDEX NO.	SYMBOL NO.	INDEX NO.	SYMBOL NO.	INDEX NO.	SYMBOL NO.	INDEX NO.	SYMBOL NO.	INDEX NO.	SYMBOL NO.	INDEX NO.		
C 71	167	C 81	165	C 91	167	C 101	164	C 111	164	CN 501	106	CN 511	105
C 72	170	C 82	164	C 92	--	C 102	--	C 112	161	CN 502	103	CN 512	--
C 73	162	C 83	169	C 93	--	C 103	--	C 113	164	CN 503	104		
C 74	162	C 84	170	C 94	170	C 104	168	C 114	161	CN 504	--		
C 75	162	C 85	169	C 95	170	C 105	161	C 115	168	---	--		
C 76	170	C 86	--	C 96	--	C 106	164	C 116	--	CN 506	102		
C 77	164	C 87	169	C 97	--	C 107	161	C 117	164	CN 507	102		
C 78	170	C 88	169	C 98	167	C 108	161	C 118	167	CN 508	--		
C 79	170	C 89	170	C 99	169	C 109	168			CN 509	101		
C 80	169	C 90	--	C 100	137	C 110	168			CN 510	--		

### CONNECTOR

## 4.PRINTER CONTROL BOARD (B306)

### FILTER

SYMBOL NO.	INDEX NO.
FIL 1	138
FIL 2	138
FIL 3	138
FIL 4	138
FIL 5	138
FIL 6	138
FIL 7	--
FIL 8	--
FIL 9	139
FIL 10	158

### IC

SYMBOL NO.	INDEX NO.
IC 1	171
IC 2	--
IC 3	--
IC 4	171
IC 5	1
---	--
IC 7	121
IC 8	118
IC 9	111
IC 10	--

SYMBOL NO.	INDEX NO.
IC 11	113
IC 12	114
IC 13	--
IC 14	116
IC 15	119
IC 16	112
IC 17	115
IC 18	119
IC 19	117
IC 20	117

SYMBOL NO.	INDEX NO.
IC 21	115
IC 22	114
---	--
IC 24	2
IC 25	114
IC 26	110
(Socket)	107
IC 27	--
IC 28	120
IC 29	122
IC 30	--

SYMBOL NO.	INDEX NO.
JP 2	158
JP 5	--
JP 18	--
JP 22	--
JP 23	--
JP 24	158
JP 25	--
JP 27	158
JP 29	--
JP 31	--

SYMBOL NO.	INDEX NO.
JP 32	--
JP 33	158
JP 34	149
JP 35	149
JP 36	149
JP 37	149
JP 38	149
JP 39	149
JP 40	149
JP 41	149

SYMBOL NO.	INDEX NO.
JP 42	149
JP 43	149
JP 44	149
JP 45	149
JP 46	158
JP 47	158
JP 48	158
JP 49	158
JP 50	158
JP 51	--

### LED

SYMBOL NO.	INDEX NO.
LED 1	109
LED 2	109

### REG

SYMBOL NO.	INDEX NO.
REG 5	123

### RESISTOR

SYMBOL NO.	INDEX NO.
R 1	141
R 2	142
R 3	151
R 4	151
R 5	151
--	--
--	--
R 8	--
R 9	--
R 10	--

SYMBOL NO.	INDEX NO.
R 11	--
R 12	--
R 13	--
R 14	--
R 15	151
R 16	144
R 17	141
R 18	141
R 19	--
R 20	141

SYMBOL NO.	INDEX NO.
R 21	--
R 22	149
R 23	141
R 24	149
R 25	151
R 26	149
R 27	141
R 28	141
R 29	144
R 30	155

SYMBOL NO.	INDEX NO.
R 31	141
R 32	157
R 33	144
R 34	152
R 35	149
R 36	149
R 37	140
R 38	153
R 39	146
R 40	143

SYMBOL NO.	INDEX NO.
R 41	153
R 42	141
R 43	150
R 44	151
R 45	--
R 46	149
R 47	149
R 48	149
R 49	149
R 50	149

### OSC

SYMBOL NO.	INDEX NO.
OSC 1	124
OSC 2	--

## 4.PRINTER CONTROL BOARD (B306)

### RESISTOR

SYMBOL NO.	INDEX NO.
R 51	149
R 52	149
R 53	149
R 54	149
R 55	147
R 56	154
R 57	154
R 58	154
R 59	--
R 60	145

SYMBOL NO.	INDEX NO.
R 61	--
R 62	--
R 63	--
R 64	--
R 65	--
R 66	--
R 67	--
R 68	--
R 69	--
R 70	--

SYMBOL NO.	INDEX NO.
R 71	156
R 72	156
R 73	144
R 74	155
R 75	155
R 76	144
R 77	148
R 78	--
R 79	--
R 80	149

SYMBOL NO.	INDEX NO.
R 81	151
--	--
R 83	--
R 84	--
R 85	--
R 86	--
R 87	--
R 88	--
R 89	--
R 90	--

SYMBOL NO.	INDEX NO.
R 91	--
R 92	151
R 93	--
R 94	--
R 95	--
R 96	--
R 97	--
R 98	149
R 99	149
R 100	149

SYMBOL NO.	INDEX NO.
R 101	149
R 102	146
R 103	158
R 104	--
R 105	158
R 106	158
R 107	149
R 108	149
R 109	149
R 110	149

SYMBOL NO.	INDEX NO.
R 111	--
R 112	149
R 113	149
R 114	149
R 115	149

### RN

SYMBOL NO.	INDEX NO.
RN 1	125
RN 2	131
RN 3	128
RN 4	128
RN 5	128
RN 6	130
RN 7	128
RN 8	131
RN 9	--
RN 10	--

SYMBOL NO.	INDEX NO.
RN 11	126
RN 12	129
RN 13	126
RN 14	129
RN 15	130
RN 16	130
RN 17	130
RN 18	130
RN 19	130
RN 20	130

SYMBOL NO.	INDEX NO.
RN 21	130
RN 22	130
RN 23	128
RN 24	128
RN 25	128
RN 26	128
RN 27	128
RN 28	128
RN 29	132
RN 30	132

SYMBOL NO.	INDEX NO.
RN 31	132
RN 32	127
RN 33	127
RN 34	127
RN 35	127
RN 36	127
RN 37	127
RN 38	127
RN 39	127
RN 40	128

SYMBOL NO.	INDEX NO.
RN 41	128
RN 42	128
RN 43	128
RN 44	128
RN 45	128
RN 46	128
RN 47	128
RN 48	128

### SW

SYMBOL NO.	INDEX NO.
SW 1	108
SW 2	--

#### 4.PRINTER CONTROL BOARD (B306)

Index No.	Part No.	Description	Q'ty Per Assembly
*	B306 5160	Printer Controller	1
*	B306 5163	Printer Controller (LAN)	1
1	G038 5300	IC - ASIC Rocky-R	1
2	G038 5352	IC - FONT 8MBIT EXP	1

Index No.	Part No.	Description	Q'ty Per Assembly
101	1102 6019	Connector - FCN685J036-I/YA	
102	1102 7358	Connector - 80P	
103	1102 7585	DIMM Connector - 93764-51872	
104	1102 7697	Connector - TX24-60R-LT-H1	
105	1102 8153	Connector - FCN-568P068-G/05	
106	1102 8189	DIMM Connector - 54534-1440	
107	1104 0588	Dip Socket - 28P	
108	1204 2368	Dip Switch - DSS804	
109	1403 0953	LED SML-310MT	
110	1407 4730	SRAM STK12C68-W45	
111	1407 4786	CMOS IC - TC74ACT273F	
112	1407 4876	CMOS IC - 74VHC244 TSSOP	
113	1407 4918	CMOS IC - 74VHCT04 TSSOP	
114	1407 4919	CMOS IC - 74VHCT244 TSSOP	
115	1407 4922	CMOS IC - 74VHCT374 TSSOP	
116	1407 5040	IC - SN74LVC161284DL	
117	1407 5087	CMOS IC - SN74LVCH16245ADGG	
118	1407 5104	IC - UPD30210GD-167-MBB	
119	1407 5125	Flash Memory - MBM29P1160TD-75pFTN	
120	1407 5164	IC - W166G	
121	1407 5174	CMOS IC - SN74LVC04APW	
122	1408 0611	IC - 3771	
123	1408 1446	IC - CS-5203-3DP3	
124	1503 0913	Crystal Oscillator - 63.90959mhz	
125	1601 7752	Resistor Array - 10K $\Omega$ $\pm$ 5%	
126	1601 7753	Resistor Array - 47 $\Omega$ $\pm$ 5%	
127	1601 7760	Resistor Array	
128	1601 7867	Resistor - 33 $\Omega$ $\pm$ 5% 1/16W	
129	1601 7869	Resistor Array - 1.2K $\Omega$ $\pm$ 5% 1/16W	
130	1601 7871	Resistor Array - 68 $\Omega$ $\pm$ 5% 1/16W	
131	1601 7892	Resistor Array - 120 $\Omega$ $\pm$ 5% 1/16W	
132	1601 7895	Resistor Array - 180 $\Omega$ $\pm$ 5% 1/16W	
133	1604 4333	Capacitor - 100 $\mu$ F $\pm$ 20% 10V	
134	1604 4428	Capacitor 100 $\mu$ F20% 16v	
135	1604 4692	Capacitor - 220uF $\pm$ 20% 16V	

Index No.	Part No.	Description	Q'ty Per Assembly
136	1605 0912	Capacitor - 0.082 $\mu$ F $\pm$ 10% 25V	
137	1605 0989	Capacitor - 0.22mF +80,-20% 16V	
138	1607 0978	Inductor - BLM21P300SPB	
139	1607 1161	Filter - NFM39R12C223	
140	1630 4100	Resistor - 10 $\Omega$ $\pm$ 5% 1/16W	
141	1630 4103	Resistor - 10K $\Omega$ $\pm$ 5% 1/16W	
142	1630 4104	Resistor - 100 $\Omega$ $\pm$ 5% 1/16W	
143	1630 4121	Resistor - 120 $\Omega$ $\pm$ 5% 1/16W	
144	1630 4122	Resistor - 1.2K $\Omega$ 5% 1/16W	
145	1630 4124	Resistor - 120K $\Omega$ $\pm$ 5%1/16W	
146	1630 4181	Resistor - 180 $\Omega$ $\pm$ 5% 1/16W	
147	1630 4221	Resistor - 220 $\Omega$ $\pm$ 5% 1/16W	
148	1630 4222	Resistor - 2.2K $\Omega$ $\pm$ 5%	
149	1630 4330	Resistor - 33 $\Omega$ $\pm$ 5% 1/8W	
150	1630 4390	Resistor - 39 $\Omega$ $\pm$ 5% 1/16W	
151	1630 4470	Resistor - 470 $\Omega$ $\pm$ 5% 1/16W	
152	1630 4472	Resistor - 4.7K $\Omega$ $\pm$ 5% 1/16W	
153	1630 4519	Resistor - 5.1 $\Omega$ $\pm$ 5% 1/16W	
154	1630 4560	Resistor - 56 $\Omega$ $\pm$ 5% 1/16W	
155	1630 4680	Resistor - 68 $\Omega$ $\pm$ 5% 1/16W	
156	1630 4681	Resistor - 680 $\Omega$ $\pm$ 5% 1/16W	
157	1630 4820	Resistor - 82 $\Omega$ $\pm$ 5% 1/16W	
158	1634 0000	Resistor - 0 $\Omega$ 1/16W	
159	1644 0220	Capacitor - 22 $\mu$ F $\pm$ 20% 10V	
160	1644 1100	Capacitor - 10 $\mu$ F $\pm$ 20% 16V	
161	1660 2220	Capacitor - 22pF $\pm$ 5% 50V	
162	1660 2221	Capacitor - 220pF +80-20% 50V	
163	1660 2330	Capacitor - 33pF - $\pm$ 5% - 50V	
164	1660 2470	Capacitor - 47pF $\pm$ 5% 50V	
165	1660 2471	Capacitor - 470pF - $\pm$ 5% - 50V	
166	1660 2680	Capacitor - 68pF $\pm$ 5% 50V	
167	1660 4102	Capacitor - 1000pF $\pm$ 10% 50V	
168	1660 4222	Capacitor - 2200pF - $\pm$ 10% - 50V	

Index No.	Part No.	Description	Q'ty Per Assembly
169	1660 6103	Capacitor - 10000pF - +80%-20%, 50V	
170	1660 8104	Capacitor - 0.1 $\mu$ F+80-20% 25V	
171	1907 0007	SDRAM 64M 1MX16X4 100MHZ G3	

# **PARTS INDEX**

Part No.	Description	Page and Index No.
B306 1464	Decal - Application Key	5- 2
B306 5160	Printer Controller	3- 1
B306 5160	Printer Controller	11- *
B306 5163	Printer Controller (LAN)	3- 1
B306 5163	Printer Controller (LAN)	11- *

Part No.	Description	Page and Index No.
B306 1464	Decal - Application Key	5- 2
B306 5160	Printer Controller	11- *
B306 5160	Printer Controller	3- 1
B306 5163	Printer Controller (LAN)	3- 1
B306 5163	Printer Controller (LAN)	11- *
G038 5300	IC - ASIC Rocky-R	11- 1
G038 5352	IC - FONT 8MBIT EXP	11- 2
G038 5813	Connector Cover - Control Board	3- 5
G038 5826	Cover - IC Card	3- 4
G038 5827	Spring Plate	3- 2
G690 5714	PCB HDD - 1.6GB	7- 1
G690 5920	Bracket - HDD	7- 3

Part No.	Description	Page and Index No.
A268 5815	Stand	5- 5
A279 5335	Mother Board	5- 1
A279 5801	Expansion Box Ass'y	5- 3
A279 5804	Cover Plate - Expansion Box	5- 4
A279 5811	Stand - Expansion Box	5- 10
A279 5812	Mother Board Bracket	5- 6
A279 5813	Panel - Printer	3- 3
A279 5817	Spring Plate Bracket	5- 7
A291 1302	Cover - Main Switch (230V)	5- 11
A853 7000	HDD MK1608MAT	7- 2
A895 1451	Keytop - Application	5- 8
A895 1452	Cover 1 Key	5- 9
A985 1480	Operation Switch Cover	5- 12

Part No.	Description	Page and Index No.
0313 0050B	Philips Pan Head Screw - M3X5	7-101
0353 0100Z	Bind Screw - M3x10	3-102
0451 3006B	Tapping Screw - M3x6	3-101
0451 3006B	Tapping Screw - M3x6	5-101
0451 3008H	Tapping Screw With Washer - M3x8	3-103
0802 5278	Tapping Screw - M4x10	5-102
0951 3004Z	Philips Screw With Flat Washer - M3x4	7-102
1102 6019	Connector - FCN685J036-I/YA	11-101
1102 7358	Connector - 80P	11-102
1102 7585	DIMM Connector - 93764-51872	11-103
1102 7697	Connector - TX24-60R-LT-H1	11-104
1102 8153	Connector - FCN-568P068-G/05	11-105
1102 8189	DIMM Connector - 54534-1440	11-106
1104 0588	Dip Socket - 28P	11-107
1204 2368	Dip Switch - DSS804	11-108
1403 0953	LED SML-310MT	11-109
1407 4730	SRAM - STK12C68-W45	3-104
1407 4730	SRAM STK12C68-W45	11-110
1407 4786	CMOS IC - TC74ACT273F	11-111
1407 4876	CMOS IC - 74VHC244 TSSOP	11-112
1407 4918	CMOS IC - 74VHCT04 TSSOP	11-113
1407 4919	CMOS IC - 74VHCT244 TSSOP	11-114
1407 4922	CMOS IC - 74VHCT374 TSSOP	11-115
1407 5040	IC - SN74LVC161284DL	11-116
1407 5087	CMOS IC - SN74LVCH16245ADGG	11-117
1407 5104	IC - UPD30210GD-167-MBB	11-118
1407 5125	Flash Memory - MBM29P1160TD-75PFTN	11-119
1407 5164	IC - W166G	11-120
1407 5174	CMOS IC - SN74LVC04APW	11-121
1408 0611	IC - 3771	11-122
1408 1446	IC - CS-5203-3DP3	11-123
1503 0913	Crystal Oscillator - 63.90959mhz	11-124
1601 7752	Resistor Array - 10K $\Omega$ $\pm$ 5%	11-125
1601 7753	Resistor Array - 47 $\Omega$ $\pm$ 5%	11-126
1601 7760	Resistor Array	11-127



Part No.	Description	Page and Index No.
1601 7867	Resistor - 33 $\Omega$ $\pm$ 5% 1/16W	11-128
1601 7869	Resistor Array - 1.2K $\Omega$ $\pm$ 5% 1/16W	11-129
1601 7871	Resistor Array - 68 $\Omega$ $\pm$ 5% 1/16W	11-130
1601 7892	Resistor Array - 120 $\Omega$ $\pm$ 5% 1/16W	11-131
1601 7895	Resistor Array - 180 $\Omega$ $\pm$ 5% 1/16W	11-132
1604 4333	Capacitor - 100 $\mu$ F $\pm$ 20% 10V	11-133
1604 4428	Capacitor 100 $\mu$ F 20% 16V	11-134
1604 4692	Capacitor - 220 $\mu$ F $\pm$ 20% 16V	11-135
1605 0912	Capacitor - 0.082 $\mu$ F $\pm$ 10% 25V	11-136
1605 0989	Capacitor - 0.22mF +80,-20% 16V	11-137
1607 0978	Inductor - BLM21P300SPB	11-138
1607 1161	Filter - NFM39R12C223	11-139
1630 4100	Resistor - 10 $\Omega$ $\pm$ 5% 1/16W	11-140
1630 4103	Resistor - 10K $\Omega$ $\pm$ 5% 1/16W	11-141
1630 4104	Resistor - 100 $\Omega$ $\pm$ 5% 1/16W	11-142
1630 4121	Resistor - 120 $\Omega$ $\pm$ 5% 1/16W	11-143
1630 4122	Resistor - 1.2K $\Omega$ 5% 1/16W	11-144
1630 4124	Resistor - 120K $\Omega$ $\pm$ 5%1/16W	11-145
1630 4181	Resistor - 180 $\Omega$ $\pm$ 5% 1/16W	11-146
1630 4221	Resistor - 220 $\Omega$ $\pm$ 5% 1/16W	11-147
1630 4222	Resistor - 2.2K $\Omega$ $\pm$ 5%	11-148
1630 4330	Resistor - 33 $\Omega$ $\pm$ 5% 1/8W	11-149
1630 4390	Resistor - 39 $\Omega$ $\pm$ 5% 1/16W	11-150
1630 4470	Resistor - 470 $\Omega$ $\pm$ 5% 1/16W	11-151
1630 4472	Resistor - 4.7K $\Omega$ $\pm$ 5% 1/16W	11-152
1630 4519	Resistor - 5.1 $\Omega$ $\pm$ 5% 1/16W	11-153
1630 4560	Resistor - 56 $\Omega$ $\pm$ 5% 1/16W	11-154
1630 4680	Resistor - 68 $\Omega$ $\pm$ 5% 1/16W	11-155
1630 4681	Resistor - 680 $\Omega$ $\pm$ 5% 1/16W	11-156
1630 4820	Resistor - 82 $\Omega$ $\pm$ 5% 1/16W	11-157
1634 0000	Resistor - 0 $\Omega$ 1/16W	11-158
1644 0220	Capacitor - 22 $\mu$ F $\pm$ 20% 10V	11-159
1644 1100	Capacitor - 10 $\mu$ F $\pm$ 20% 16V	11-160

Part No.	Description	Page and Index No
1660 2220	Capacitor - 22pF $\pm$ 5% 50V	11-161
1660 2221	Capacitor - 220pF +80-20% 50V	11-162
1660 2330	Capacitor - 33pF - $\pm$ 5% - 50V	11-163
1660 2470	Capacitor - 47pF $\pm$ 5% 50V	11-164
1660 2471	Capacitor - 470pF - $\pm$ 5% - 50V	11-165
1660 2680	Capacitor - 68pF $\pm$ 5% 50V	11-166
1660 4102	Capacitor - 1000pF $\pm$ 10% 50V	11-167
1660 4222	Capacitor - 2200pF - $\pm$ 10% - 50V	11-168
1660 6103	Capacitor - 10000pF - +80%-20%, 50V	11-169
1660 8104	Capacitor - 0.1 $\mu$ F +80-20% 25V	11-170
1907 0007	SDRAM 64M 1MX16X4 100MHZ G3	11-171